

GRI specializes in the custom design and manufacturing of fluid pumps for the OEM market. The chart below is a general overview of GRI's **INTG1** Series Pumps. If you do not find a pump that meets your exact requirements, our dedicated Sales Team will work with you to create a solution specific to your application - whether it is customizing an existing pump or designing new.

Specifications

Max. Fluid Temp: 203°F (95°C)

Max Sys. Pressure: 50 psi

Approx. Weight: .8 LBS (362.9 grams)

Ports: 1/2" MHB, 3/8" MPT
OEM Customization Available

Materials in contact with solution

Body: LCP

Housing: PP

Impeller: LCP

Impeller Shaft: Stainless Steel

Static O-Ring: EPDM, FKM (Viton)

Motor specifications

Motor: Integrated, Brushless DC

Supply Voltage: 12, 24, 12-24 VDC

Electronics Max Power: 1.5 amps
It is recommended that the customer provide circuit over current protection to the pump.
1.5 amp fast acting fuse is recommended.

Wiring Options

- **2-wire**
- **3-wire:** 0-5 volts (Reference DC NEG). Speed is controlled by a nominal 0-5 volt DC signal.
- **Tachometer** feedback option available.

Agency Approvals

Contact GRI

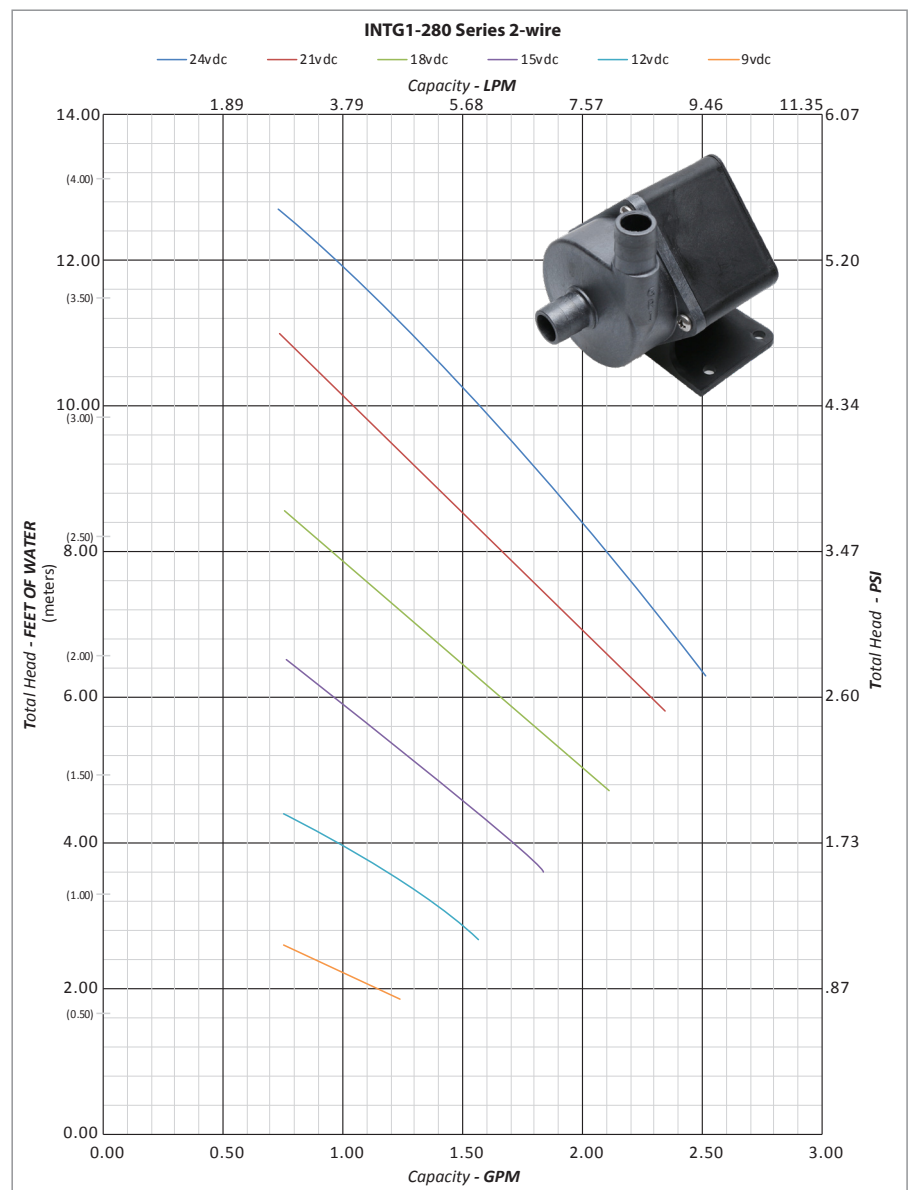
Compliances

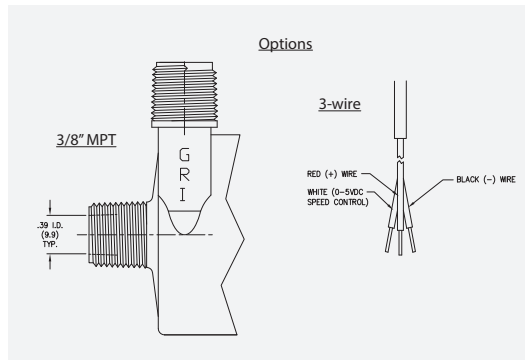
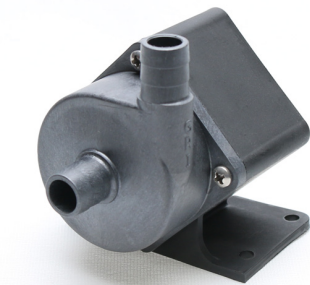
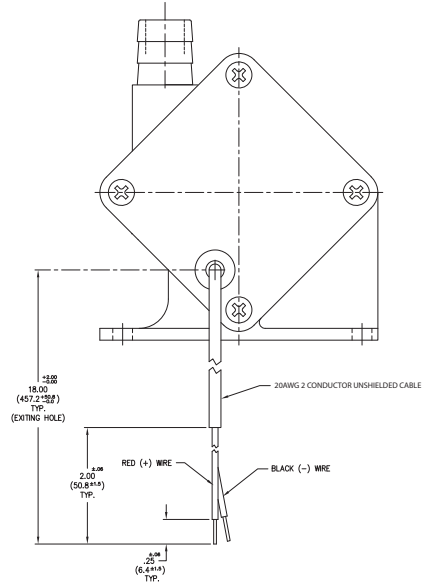
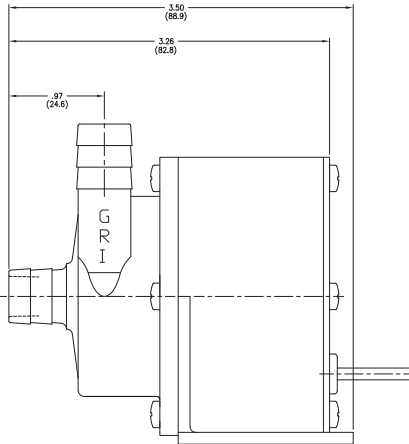
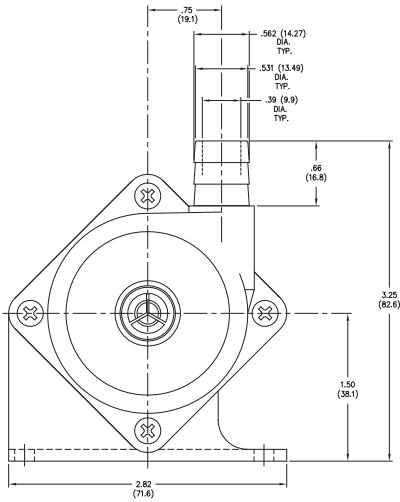
RoHS 2 (2011/65/EC)
REACH (SVHC)

Note: Testing performed in a controlled laboratory environment. Actual performance may vary (+) or (-) 10% from the information shown.

Do Not Run Pumps Dry. Pumps must be in a continuous flooded suction environment.

Voltage	Max Flow GPM (LPM)	Max Head Ft (PSI) (m)
9-24	2.50 (9.50)	12.80 (5.5) (3.90)





Model / O-Ring		Voltage	Wires	Max Flow GPM (LPM)	Max Head Ft (PSI) (m)	Ports Inches
EPDM	FKM					
INTG1-280	INTG1-281	9-24	2-wire	2.50 (9.50)	12.80 (5.5) (3.90)	1/2 MHB
INTG1-284	INTG1-285	9-24	2-wire	2.50 (9.50)	12.80 (5.5) (3.90)	3/8 MPT
INTG1-380	INTG1-381	9-24	3-wire	2.50 (9.50)	12.80 (5.5) (3.90)	1/2 MHB
INTG1-384	INTG1-385	9-24	3-wire	2.50 (9.50)	12.80 (5.5) (3.90)	3/8 MPT

3-wire: Attaching a 0-5vdc signal to the third (speed control) wire allows you to turn down and thus vary the performance of the pump as needed, given a fixed supply across the red and black wires. If the speed control wire is not connected, the pump will run full-on.

Connectors: MHB = Male Hose Barb; MPT = Male Pipe Thread

O-Ring Material: EPDM = Ethylene Propylene Diene Monomer, FKM = Fluoroelastomer.

Note: Testing performed in a controlled laboratory environment. Actual performance may vary (+) or (-) 10% from the information shown. **Do Not Run Pumps Dry. Pumps must be in a continuous flooded suction environment.**

