



DRV 850
Type A (DN 15 - DN 32)



DRV 850
Type B (DN 40 - DN 50)



Pressure reducing valve
Flange • Low pressure
Stainless steel

Pressure reducing valves of the series are diaphragm-controlled, spring-loaded pressure reducing valves. These valves are inlet pressure relieved.

DGRL 2014/68/EU **CE**

Classification societies

- DNV GL
- LR
- BV
- ABS
- CCS

Customs tariff number

84811005

Media

The pressure reducers are suitable for use with aggressive waters and other aggressive liquids, but can also be used for air and neutral gases when larger flow rates are required.

FDA / EC 1935/2004

Our stainless steel series with EPDM seals correspond to the requirements of the EU Regulation EC 1935/2004 and the Regulations of the FDA (Food and Drug Administration).

The metallic components in contact with the medium are made of austenitic materials such as 1.4408 and 1.4404.

The EPDM seals are conform FDA (21 CFR part 177.2600) and EC 1935/2004. This means you can use our stainless steel series with EPDM seals in food applications without hesitation.



Features

- pressure-relieved single seated valve
- diaphragm-controlled
- continuously adjustable outlet pressure
- max. inlet pressure up to 25 bar
- outlet pressure: 0,2 - 2 bar
- flanges acc. DIN EN 1092 PN 40
- optionally all sizes with ANSI or JIS flanges
- with integrated strainer filter
- replaceable inner parts
- double-ended G 1/4" manometer fitting (for outlet pressure)
- assembly position: any desired, preferably vertical
- minimum pressure difference (inlet/outlet pressure): 1 bar
- EPDM seals with FDA conformity

Pressures



max. 25 bar



0,2 - 2 bar

Connections



Flange connection
acc. DIN EN 1092 PN 40
from DN 15 up to DN 50

Materials

	body	spring bonnet	seals	wetted parts	max. temperature
standard version	stainless steel 1.4408	stainless steel 1.4408	FKM optionally EPDM**, NBR*	stainless steel 1.4404	190 °C



Temperatures

Various options in the area of seals and wetted internal parts allow a maximum temperature of up to 190 °C.



from -30 °C up to +190 °C

Seals and temperatures

- NBR* -15 °C to +100 °C
- EPDM** -30 °C to +130 °C
- FKM -10 °C to +190 °C




* only DN 20 to DN 32

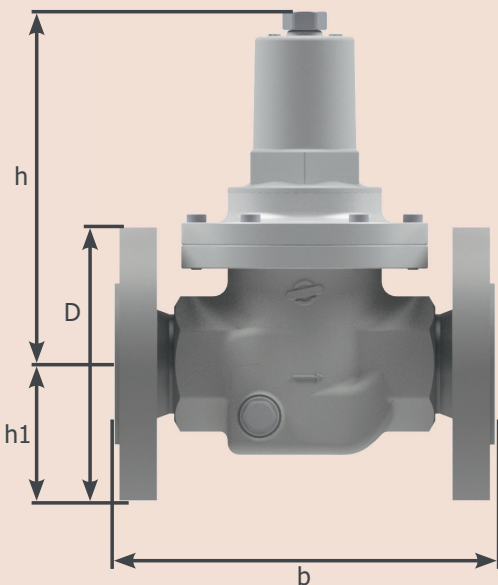
** with FDA conformity, DN 32 not available



Technical data

nominal size	15	20	25	32	40	50
--------------	----	----	----	----	----	----

Type		A				B		
Pressures	max. inlet pressure [bar]							
	max. 25 bar 	DRV 850	25				25	
0,2 - 2 bar 	outlet pressure [bar]							
	DRV 850	0,2 - 2				0,2 - 2		
Connections	Flange connection from DN 15 to DN 50 	dimensions [mm]						
		b	130	150	160	180	200	230
		D	95	105	115	140	150	165
		h1	48	53	58	70	75	83
		h	136	136	148	148	271	271
weight [kg]								
DRV 850	3,3	4,0	5,9	7,2	13,5	15,3		
kvs-value [m³/h]								
DRV 850	2,9	3,9	5,4	6,1	9	13		





Article number

nominal size	15	20	25	32	40	50
standard version						
DRV 802	085002	085003	085004	085005	085006	085007

Standard article numbers are 6 digits, article numbers for additional options are 11 digits. (See next page for an overview of options)

Manometer

diameter	connection	body	pressure range	max. temp.	art.no.
50 mm	G 1/4", central back	steel	0 - 4 bar	60 °C	009001
50 mm	G 1/4", central back	steel	0 - 10 bar	60 °C	009002
63 mm	G 1/4", central back	stainless steel	0 - 10 bar	60 °C	009015
63 mm	G 1/4", central back	stainless steel	0 - 10 bar	200 °C	009014



Options

C C - connections

00 -	DIN EN 1092 PN 40	standard
61 -	ANSI B16.5 RF	class 150 lbs

M - material wetted parts

0 -	stainless steel 1.4404	standard
-----	------------------------	----------

E - elastomers

0 -	FKM	standard
1 -	NBR	DN 20 to DN 32
8 -	EPDM	with FDA conformity, except DN 32

F - finishes

0 -	without additional finishes
-----	-----------------------------

Configuration example of an article number with additional options

inlet pressure: 6 bar
seals: EPDM

outlet pressure: 0,5 bar
temperature: 30 °C

connection: DN 50 ANSI B16.5 RF
without additional finishes

art.no. standard version						-	C	C	M	E	F
0	8	5	0	0	7	-	6	1	0	8	0

Flow diagram

