

3" Metallic Models

PRO SERIES PUMPS

ARO® PRO 3" metallic diaphragm pumps achieve flow rates of up to 237 GPM (897 LPM) and offer a wide array of material and porting configurations. These pumps are often used for transfer, filling, recirculation and batching in Ceramic, Paint, Oil & Gas, Mining, Construction, Chemical and Petrochemical markets.

| | |
|------------------------------------|--|
| Ratio: | 1:1 |
| Maximum Flow gpm (lpm): | 237 (897) |
| Displacement per cycle gal (l): | 2.65 (10.03) |
| Air Inlet (Female): | 3/4 - 14 NPTF - 2 |
| Fluid Inlet/Outlet: | 3 - 8 NPTF - 1 Rp 3 (3 - 11 BSP parallel) |
| Max. operating pressure psi (bar): | 120 (8.3) |
| Suspended solids max. dia in (mm): | .375 (9.5) |
| Weight lbs (kg): | 6663X0-XXX-C 109.8 (49.8) 6663X1-XXX-C 222.2 (100.8) 6663X2-XXX-C 213.1 (96.7) |
| Maximum dry suction lift ft (m): | 17.6 (5.4) |
| Sound Level: | 70 PSI 60 Cycles/Min 86.3 db(A) |



666322-144-C

67389 Muffler Kit (not shown) included with pump

Ordering

| Position | 1 | 2 | | 3 | 4 | 5 | | 6 |
|----------|-------|---|---|---|---|---|---|---|
| Example: | 6663X | X | - | X | X | X | - | C |

| Position 1 Center Body | Position 2 Fluid Caps Manifold Material | Position 3 Seat Material | Position 4 Ball Check Material | Position 5 Diaphragm Material |
|---|---|--|---|--|
| 0 - Aluminum, NPTF 2 - Aluminum, BSP | 0 - Aluminum (steel hardware) 1 - Stainless steel (steel hardware) 2 - Cast Iron (steel hardware) A - Aluminum / Stainless Steel B - Stainless Steel / Stainless Steel C - Cast Iron / Stainless Steel | 1 - Aluminum 9 - Hytrel® E - Santoprene® G - Nitrile 2 - 316 Stainless Steel 4 - PVDF 5 - Carbon Steel 8 - Hard Stainless Steel | 2 - Nitrile 4 - PTFE C - Hytrel® E - Santoprene® | 2 - Nitrile 4 - PTFE / Santoprene 9 - Hytrel® B - Santoprene® |

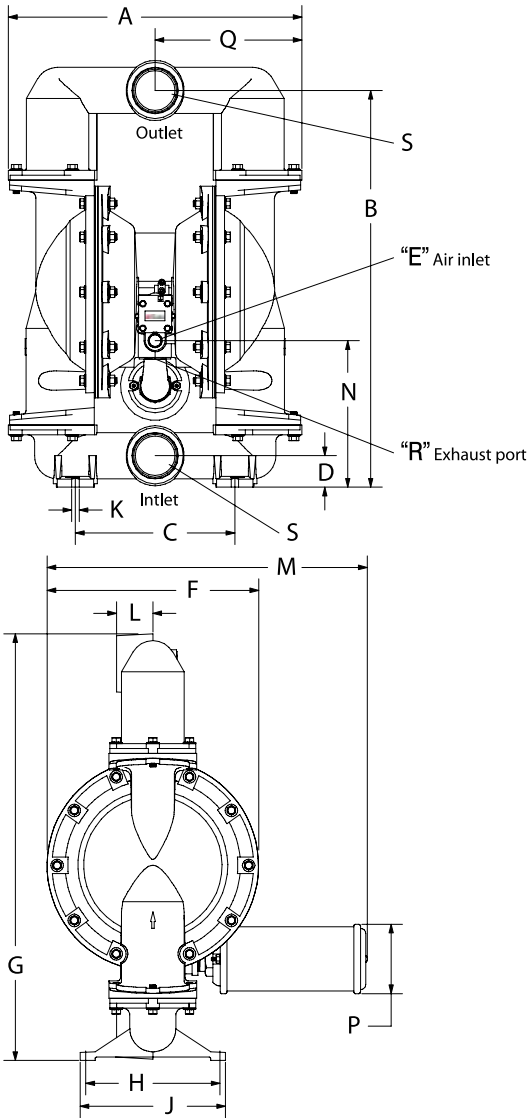
Hytrel® is a registered trademark of DuPont company, Santoprene® is registered trademark of Monsanto and Viton® is a registered trademark of ExxonMobil

Accessories

Air Line Connection Kit | 66312 (Piggyback Filter/Regulator with gauge, pipe nipple and 5-foot air hose)

Service Repair Kits | 637434 (air section)
637433-XX (fluid section)

3" Metallic Dimensions and Flow Charts



DIMENSIONS

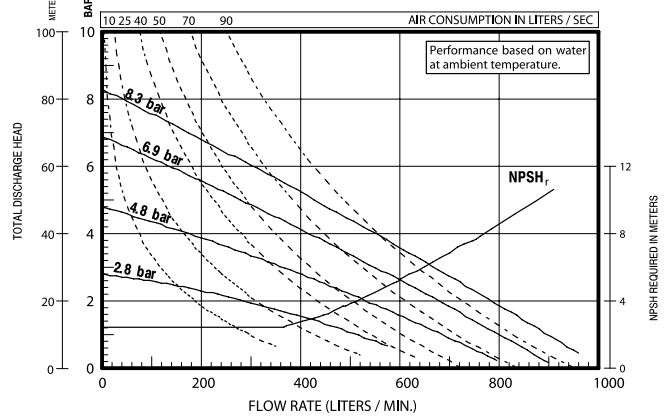
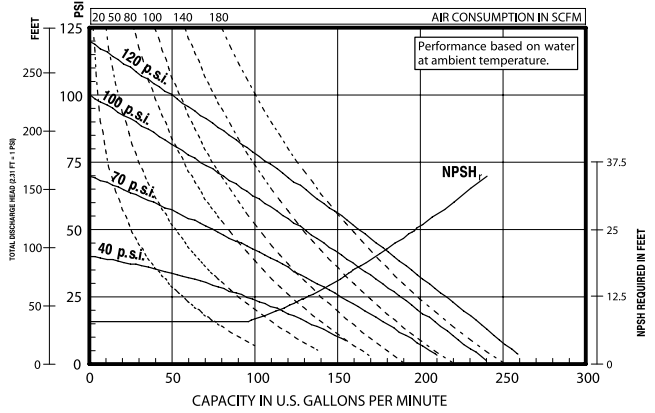
| | | |
|-------------------------|-----------------------|-----------------------------|
| A 22-7/32" (563.9 mm) | G 32-9/32" (819.8 mm) | N 11-3/32" (281.4 mm) |
| B 30" (762.0 mm) | H 10-5/32" (258.0 mm) | P 5-1/4" (133.4 mm) |
| C 12-1/16" (306.4 mm) | J 11" (279.4 mm) | Q 11-1/8" (281.9 mm) |
| D 2-3/8" (60.3 mm) | K 9/16" (14.3 mm) | R 1-1/4 - 11-1/2 N.P.T.F.-1 |
| E 3/4 - 14 N.P.T.F. - 1 | L 2-3/4" (69.9 mm) | S (see below) |
| F 16" (406.4 mm) | M 24-7/16" (620.7 mm) | |

"S" Inlet / Outlet

66630-XXX-C 3 - 8 N.P.T.F. - 1
 66632-XXX-C Rp 3 (3 - 11 BSP parallel)

PERFORMANCE CURVES

666300-XXX-C / 666320-XXX-C 3" METALLIC DIAPHRAGM PUMP



Performance based on an elastomeric fitted pump, flooded suction with water at ambient conditions. Due to varying materials of construction, assembly configurations and operating conditions, published data is for reference only.