

1" Metallic Models

PRO SERIES PUMPS

ARO® PRO 1" metallic diaphragm pumps achieve flow rates of up to 35 GPM (133 LPM) and offer a wide array of material and porting configurations. These pumps are often used for transfer, filling, recirculation and batching in Industrial, Mining, Construction, Chemical and Petrochemical markets.

Ratio:	1:1		
Maximum Flow gpm (lpm):	35 (133)		
Displacement per cycle gal (l):	.16 (.60)		
Air Inlet (Female):	1/4 - 18 NPTF - 1		
Fluid Inlet/Outlet:	1 - 11-1/2 NPTF - 1 Rp 1 (1-11 BSP parallel)		
Max. operating pressure psi (bar):	120 (8.3)		
Suspended solids max. dia in (mm):	.125 (3.2)		
Weight lbs (kg):	666100-X-C (aluminum)	19 (8.6)	
	666101-X-C (stainless steel)	29 (13.1)	
	666102-X-C (cast iron)	31 (14.1)	
	Note: Add 8 (3.63) for cast iron air motor section		
Maximum dry suction lift ft (m):	20 (6.1)		
Sound Level:	70 PSI	60 Cycles/Min	64.5 db(A)



6661X0, 1XA, 1X2 & 1XC
Aluminum / Cast Iron
Pump



6661X1 & 1XB
Stainless Steel
Pump

Ordering

Position	1	2		3	4	5		6
Example:	6661X	X	-	X	X	X	-	C

Position 1 Center Body	Position 2 Fluid Caps Manifold Material	Position 3 Seat Material	Position 4 Ball Check Material	Position 5 Diaphragm Material
0 - Aluminum, NPTF 1 - Cast Iron, NPTF 2 - Aluminum, BSP 3 - Cast Iron, BSP	0 - Aluminum (steel hardware) 1 - SS (steel hardware) 2 - Cast Iron (steel hardware) 9 - SS, dual outlet (steel hardware) A - Aluminum, (stainless hardware) B - SS (stainless hardware) C - Cast Iron (stainless hardware) D - SS, dual outlet (stainless hardware)	1 - Aluminum 2 - 316 Stainless Steel 3 - Polypropylene 4 - PVDF 5 - Carbon Steel 8 - Hard 400 Stainless Steel	1 - Neoprene 2 - Nitrile 3 - Viton® 4 - PTFE 6 - Acetal 8 - Polyurethane A - Stainless Steel C - Hytrel® E - Santoprene®	1 - Neoprene 2 - Nitrile 3 - Viton® 4 - PTFE / Santoprene 9 - Hytrel® B - Santoprene® G - Nitrile

Hytrel® is a registered trademark of DuPont company, Santoprene® is registered trademark of Monsanto and Viton® is a registered trademark of ExxonMobil

Accessories

Air Line Connection Kit | 66073-2 (Piggyback Filter/Regulator with gauge, pipe nipple and 5-foot air hose)

Service Repair Kits | 637118-C (air section)
637119-XX-C (fluid section)

Wall Mount | 66100



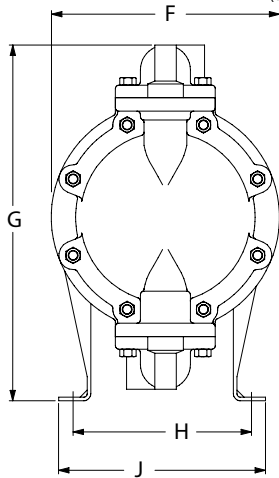
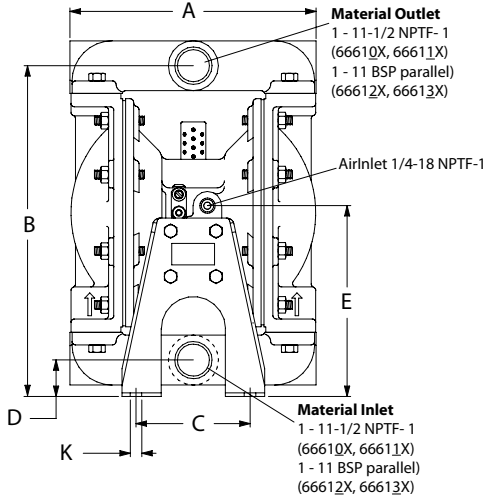
Air Line Connection Kit
66073-2



Wall Mount
66100

1" Metallic Dimensions and Flow Charts

6661X0, 1XA, 1X2 & 1XC

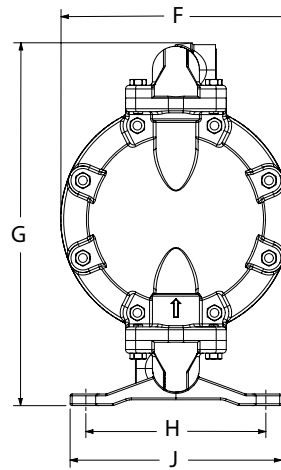
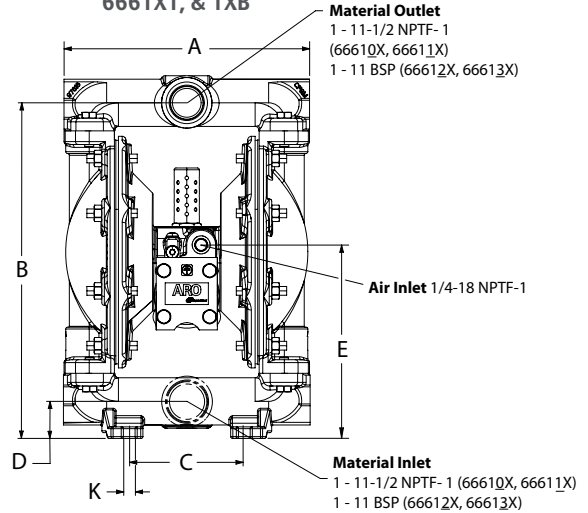


DIMENSIONS

A - 8-9/16" (217.5 mm)	E - 6-1/2" (165 mm)	H - 6-1/4" (159 mm)
B - 11-9/16" (294 mm)	F - 8" (203 mm)	J - 7-5/16" (186 mm)
C - 4" (102 mm)	G - 12-1/2" (318 mm)	K - 13/32" (10 mm)
D - 1-1/4" (32 mm)		

NOTE: Dimensions are shown in inches and (mm), supplied for reference only and are typically rounded up to the nearest 1/16 inch.

6661X1, & 1XB



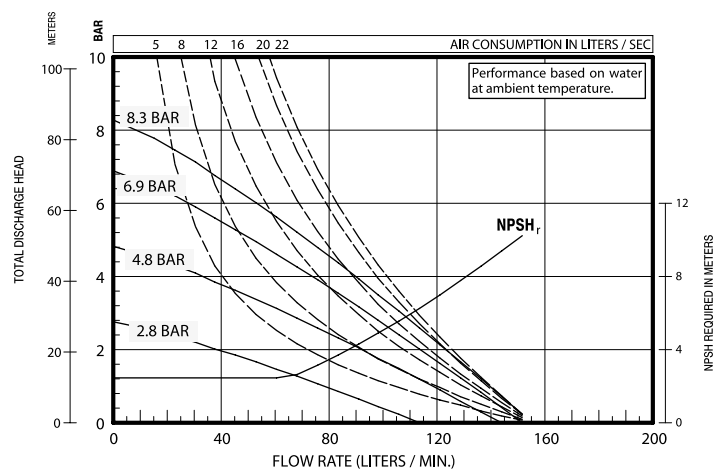
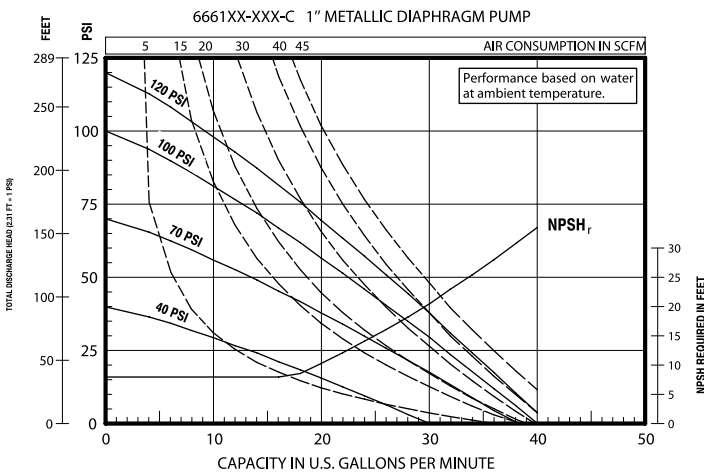
DIMENSIONS

A - 8-9/16" (217.5 mm)	E - 6-1/2" (165 mm)	H - 6-1/8" (155 mm)
B - 11-9/16" (294 mm)	F - 8" (203 mm)	J - 7-5/16" (186 mm)
C - 4" (102 mm)	G - 12-7/16" (315 mm)	K - 13/32" (10 mm)
D - 1-1/4" (32 mm)		

NOTE: Dimensions are shown in inches and (mm), supplied for reference only and are typically rounded up to the nearest 1/16 inch.

PERFORMANCE CURVES

6661XX-XXX-C 1" METALLIC DIAPHRAGM PUMP



Performance based on an elastomeric fitted pump, flooded suction with water at ambient conditions. Due to varying materials of construction, assembly configurations and operating conditions, published data is for reference only.