

 Domestic use

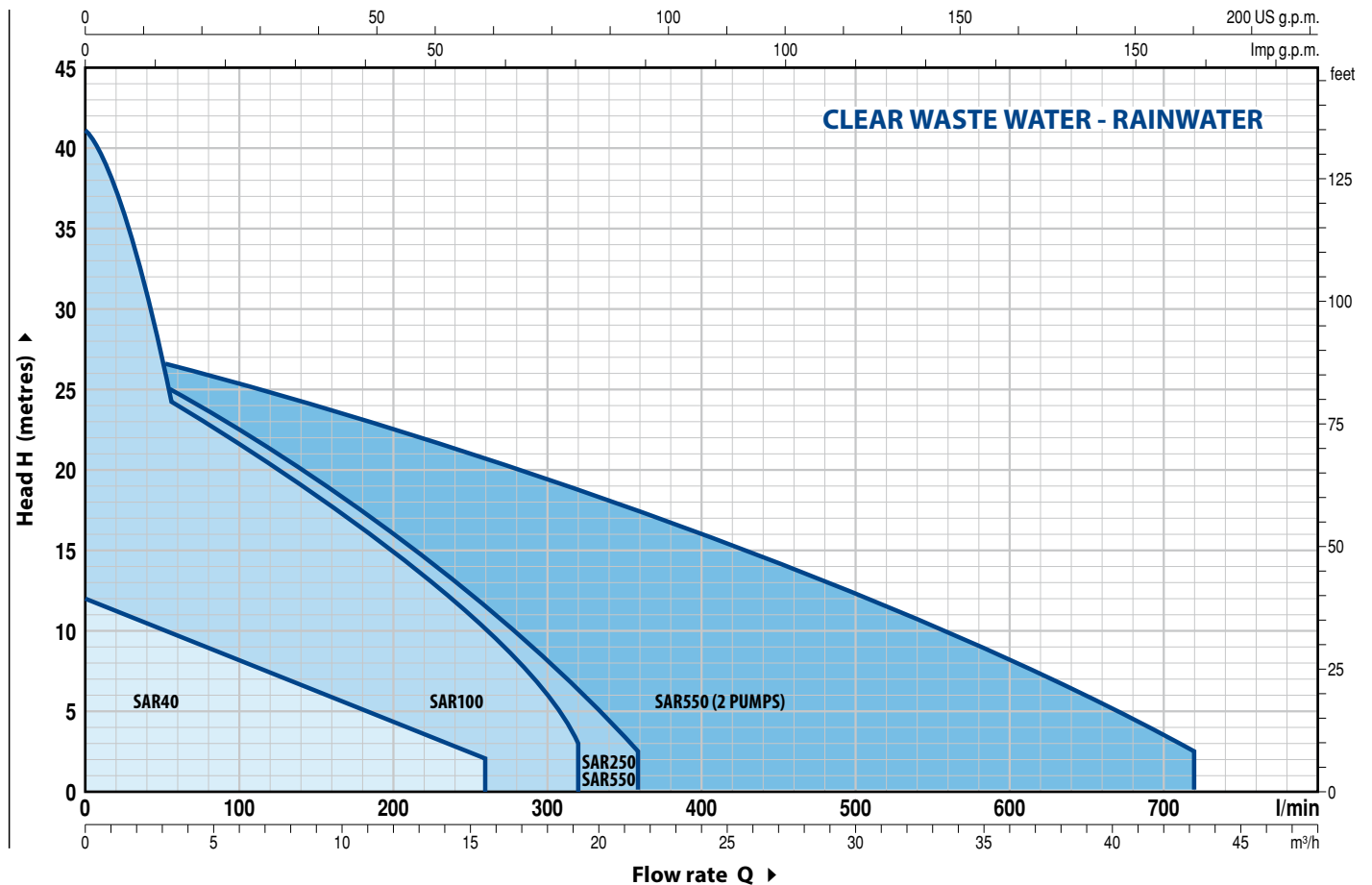
 Agricultural use

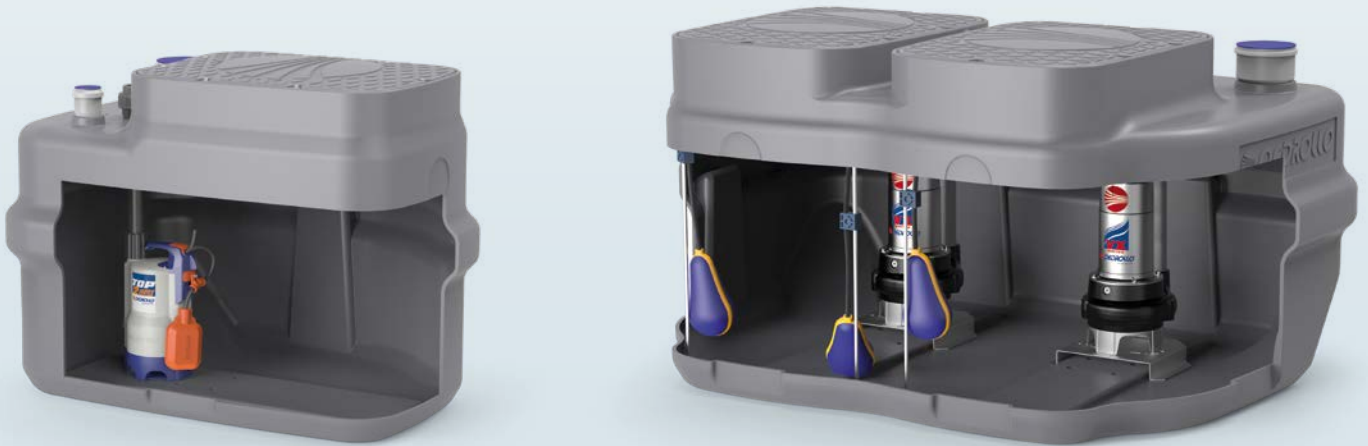
 Civil use



PERFORMANCE RANGE

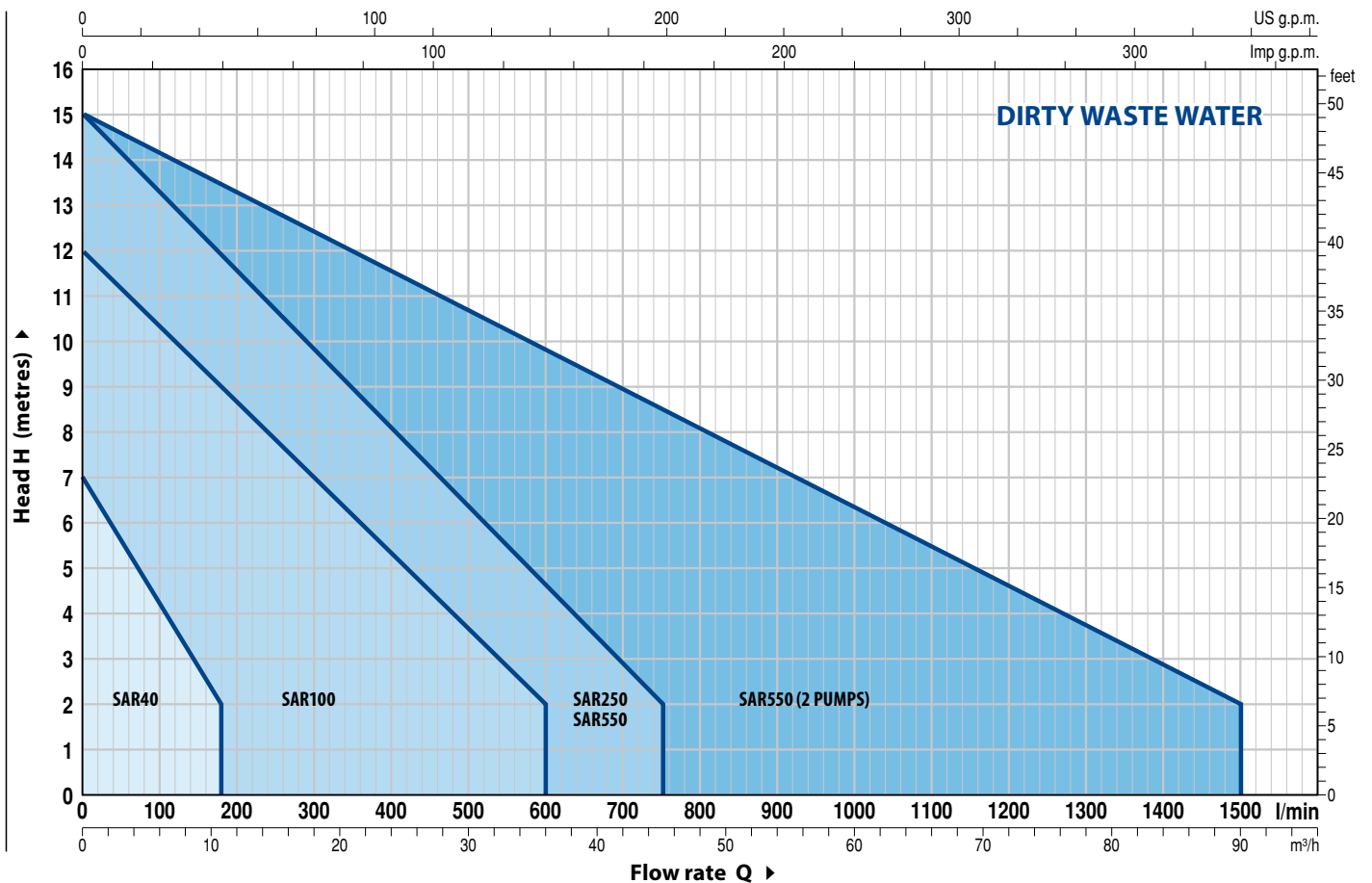
50 Hz n = 2900 rpm





PERFORMANCE RANGE

50 Hz n= 2900 rpm



CLEAR WASTE WATER - RAINWATER

MODEL	POWER (P ₂)		TANK CAPACITY litres	MAXIMUM FLOW RATE litres/min	MAXIMUM HEAD metres
	kW	HP			
SAR 40 - TOP 1	0.25	0.33	40	160	6
SAR 40 - TOP 2	0.37	0.50	40	220	8
SAR 40 - TOP 3	0.55	0.75	40	260	10
SAR 40 - RXm 1	0.25	0.33	40	160	6.5
SAR 40 - RXm 2	0.37	0.50	40	220	9.5
SAR 40 - RXm 3	0.55	0.75	40	220	11.5



DIRTY WASTE WATER

MODEL	POWER (P ₂)		TANK CAPACITY litres	MAXIMUM FLOW RATE litres/min	MAXIMUM HEAD metres
	kW	HP			
SAR 40 - TOP 2-VORTEX	0.37	0.50	40	180	6.5
SAR 40 - RXm2/20	0.37	0.50	40	180	6.5

COMPONENTS

- 40 litres polyethylene tank with cover plate
- Pump complete with float switch
- Power cable: **supplied with standard 5 metres cable** with Schuko plug (EN 60335-2-41 standard states that the power cable must be 10 metres long for outside use)
- Non-return valve
- Accumulation stations with **inlet tube** 1½" gas, **outlet** 1¼" gas and **vent** ½" gas

CLEAR WASTE WATER - RAINWATER



MODEL	POWER (P ₂)		TANK CAPACITY litres	MAXIMUM FLOW RATE litres/min	MAXIMUM HEAD metres
	kW	HP			
SAR 100 - TOP 2	0.37	0.50	100	220	8
SAR 100 - TOP 3	0.55	0.75	100	260	10
SAR 100 - TOP 4 N	0.75	1	100	320	12.5
SAR 100 - TOP MULTI 2	0.55	0.75	100	80	40
SAR 100 - TOP MULTI 3	0.55	0.75	100	120	32
SAR 100 - RXm 2	0.37	0.50	100	220	9.5
SAR 100 - RXm 3	0.55	0.75	100	220	11.5
SAR 100 - Dm 10-N	0.75	1	100	300	15.5
SAR 100 - Dm 20-N	0.75	1	100	250	19
SAR 100 - Dm 30-N	1.1	1.5	100	275	26

DIRTY WASTE WATER

MODEL	POWER (P ₂)		TANK CAPACITY litres	MAXIMUM FLOW RATE litres/min	MAXIMUM HEAD metres
	kW	HP			
SAR 100 - TOP 2-VORTEX	0.37	0.50	100	180	6.5
SAR 100 - TOP 3-VORTEX	0.55	0.75	100	180	8
SAR 100 - RXm 2/20	0.37	0.50	100	180	6.5
SAR 100 - RXm 3/20	0.55	0.75	100	180	8
SAR 100 - ZXm 1A/40	0.60	0.85	100	400	10.5
SAR 100 - VXm 8/35-N	0.55	0.75	100	350	8
SAR 100 - VXm 10/35-N	0.75	1	100	400	10
SAR 100 - VXm 8/50-N	0.55	0.75	100	450	6
SAR 100 - VXm 10/50-N	0.75	1	100	550	8.5
SAR 100 - BCm 10/50-N	0.75	1	100	600	11

COMPONENTS

- 100 litres polyethylene tank with cover plate
- Pump complete with float switch
- Power cable: **supplied with standard 10 metres cable** with Schuko plug
- Accumulation stations with **inlet tube** Ø 110 mm, **outlet** 1¼" or 1½" or 2" gas and **vent** Ø 50 mm

CLEAR WASTE WATER - RAINWATER

MODEL	POWER (P ₂)		TANK CAPACITY litres	MAXIMUM FLOW RATE litres/min	MAXIMUM HEAD metres
	kW	HP			
SAR 250 - TOP 3	0.55	0.75	250	260	10
SAR 250 - TOP 4 N	0.75	1	250	320	12.5
SAR 250 - TOP 5 N	0.92	1.25	250	360	15
SAR 250 - RXm 3	0.55	0.75	250	220	11.5
SAR 250 - RXm 4	0.75	1	250	260	15
SAR 250 - RXm 5	1.1	1.5	250	300	19.5
SAR 250 - Dm 10-N	0.75	1	250	300	15.5
SAR 250 - Dm 20-N	0.75	1	250	250	19
SAR 250 - Dm 30-N	1.1	1.5	250	275	26



DIRTY WASTE WATER

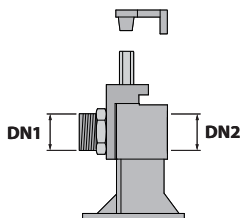
MODEL	POWER (P ₂)		TANK CAPACITY litres	MAXIMUM FLOW RATE litres/min	MAXIMUM HEAD metres
	kW	HP			
SAR 250 - TOP 2-VORTEX	0.37	0.50	250	180	6.5
SAR 250 - TOP 3-VORTEX	0.55	0.75	250	180	8
SAR 250 - RXm 3/20	0.55	0.75	250	180	8
SAR 250 - RXm 4/40	0.75	1	250	280	9.5
SAR 250 - RXm 5/40	1.1	1.5	250	380	12.5
SAR 250 - VXm10/35-ST	0.75	1	250	400	10.5
SAR 250 - VXm10/50-ST	0.75	1	250	550	9.5
SAR 250 - BCm10/50-ST	0.75	1	250	600	11
SAR 250 - VXm 10/35-N	0.75	1	250	400	10
SAR 250 - VXm 15/35-N	1.1	1.5	250	500	13.5
SAR 250 - VXm 10/50-N	0.75	1	250	550	8.5
SAR 250 - VXm 15/50-N	1.1	1.5	250	650	11
SAR 250 - BCm 10/50-N	0.75	1	250	600	11
SAR 250 - BCm 15/50-N	1.1	1.5	250	750	14

COMPONENTS

- 250 litres polyethylene tank with cover plate
- Pump complete with float switch
- Power cable: **supplied with standard 10 metres cable** with Schuko plug
- Accumulation stations with **inlet tube** Ø 110 mm, **outlet** 1¼" or 1½" or 2" gas and **vent** Ø 50 mm
- Coupling support and guide tubes for lowering of pump (only for VX-ST and BC-ST)

BASE PEDESTAL ELBOW (DUCT FOOT)

MODEL	PORTS	
	DN1	DN2
PA/1 (VX/35-ST)	1½"	2"
PA/2 (VX/50-ST and BC/50-ST)	2"	



OPTIONS AVAILABLE ON REQUEST

Alarm KIT (Cod. KSKIT-ALLARME)

Kit includes:

- Control box, self-powered siren, float

300 mm extension kit (Cod. KSKIT-300MA)

Kit includes:

- Extension kit for the installation of the polyethylene "SAR" tank at greater depths

300 mm extension kit for VX-ST and BC-ST versions (Cod. KSKIT-300MM)

Kit includes:

- Extension kit for the installation of the polyethylene "SAR" tank at greater depths
- Longer guide tubes

CLEAR WASTE WATER - RAINWATER

MODEL	POWER (P ₂)		TANK CAPACITY litres	MAXIMUM FLOW RATE (1 pump) litres/min	MAXIMUM HEAD metres
	kW	HP			
SAR 550 - TOP4 N	0.75	1	550	320	12.5
SAR 550 - TOP5 N	0.92	1.25	550	360	15
SAR 550 - RXm4	0.75	1	550	260	15
SAR 550 - RXm5	1.1	1.5	550	300	19.5
SAR 550 - Dm10-N	0.75	1	550	300	15.5
SAR 550 - Dm20-N	0.75	1	550	250	19
SAR 550 - Dm30-N	1.1	1.5	550	275	26



DIRTY WASTE WATER

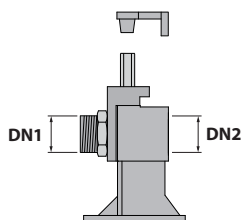
MODEL	POWER (P ₂)		TANK CAPACITY litres	MAXIMUM FLOW RATE (1 pump) litres/min	MAXIMUM HEAD metres
	kW	HP			
SAR 550 - RXm 4/40	0.75	1	550	280	9.5
SAR 550 - RXm 5/40	1.1	1.5	550	380	12.5
SAR 550 - VXm10/35-ST	0.75	1	550	400	10.5
SAR 550 - VXm10/50-ST	0.75	1	550	550	9.5
SAR 550 - BCm10/50-ST	0.75	1	550	600	11
SAR 550 - VXm 10/35-N	0.75	1	550	400	10
SAR 550 - VXm 15/35-N	1.1	1.5	550	500	13.5
SAR 550 - VXm 10/50-N	0.75	1	550	550	8.5
SAR 550 - VXm 15/50-N	1.1	1.5	550	650	11
SAR 550 - BCm 10/50-N	0.75	1	550	600	11
SAR 550 - BCm 15/50-N	1.1	1.5	550	750	14

COMPONENTS

- 550 litre polyethylene tank with two lids
- Two single-phase pumps
- Power cable: **supplied with standard 10 metres cable** with Schuko plug
- Control box
- Three floats for: **1)** alternating switch-on of one of the two pumps, **2)** maximum level with switch-on of second pump, **3)** minimum level with switch-off of pumps
- Accumulation stations with two **inlet tubes** Ø 110 mm, **outlet** 1½" or 2" gas and **vent** Ø 50 mm
- Coupling support and guide tubes for lowering of pump (only for VX-ST and BC-ST)

BASE PEDESTAL ELBOW (DUCT FOOT)

MODEL	PORTS	
	DN1	DN2
PA/1 (VX /35-ST)	1½"	2"
PA/2 (VX /50-ST and BC /50-ST)	2"	



OPTIONS AVAILABLE ON REQUEST

Alarm KIT (Cod. KSKIT-ALLARME)

Kit includes:

- Control box, self-powered siren, float

300 mm extension kit (Cod. KSKIT-300MA)

Kit includes:

- Extension kit for the installation of the polyethylene "SAR" tank at greater depths

ATTENTION: the tank is fitted with two lids.

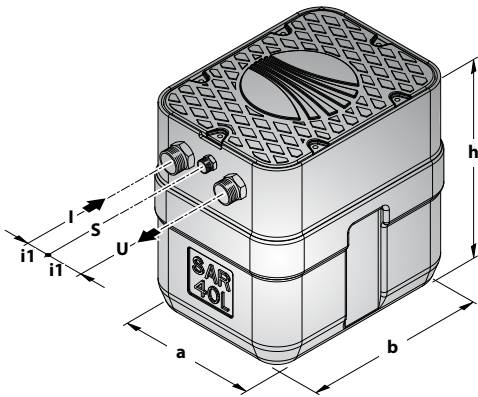
300 mm extension kit for VX-ST and BC-ST versions (Cod. KSKIT-300MM)

Kit includes:

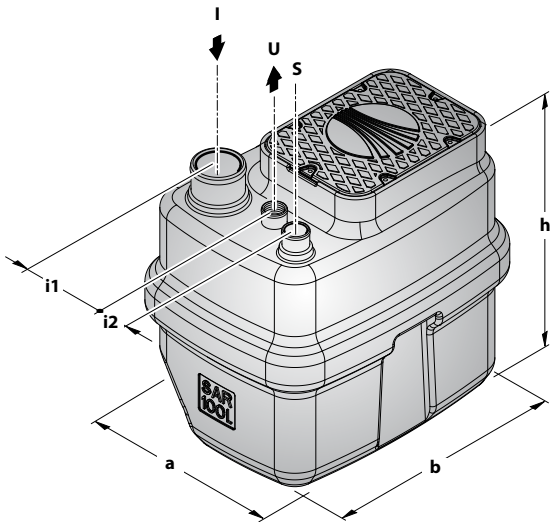
- Extension kit for the installation of the polyethylene "SAR" tank at greater depths
- Longer guide tubes

ATTENTION: the tank is fitted with two lids.

DIMENSIONS AND WEIGHT

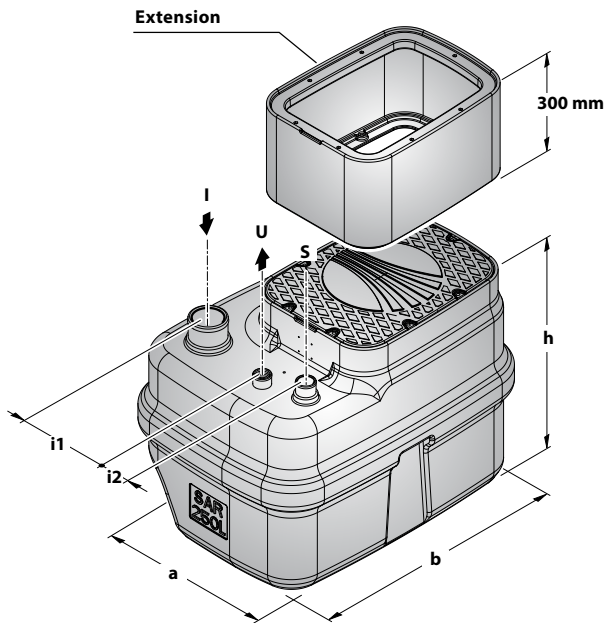


MODEL	PORTS			DIMENSIONS mm				kg
	I	U	S	a	b	h	i1	
SAR 40 - TOP1								14.0
SAR 40 - TOP2								14.7
SAR 40 - TOP3								16.1
SAR 40 - RXm1	1½"	1¼"	½"	310	410	410	60	14.2
SAR 40 - RXm2								15.3
SAR 40 - RXm3								16.9
SAR 40 - TOP 2-VORTEX								14.6
SAR 40 - RXm 2/20								15.6

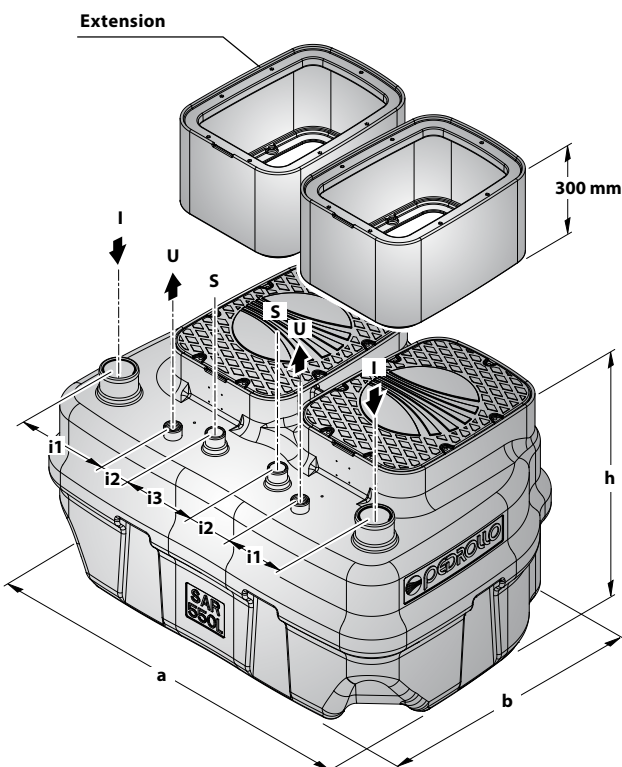


MODEL	PORTS			DIMENSIONS mm						kg
	I	U	S	a	b	h	i1	i2		
SAR 100 - TOP2		1¼"							28.7	
SAR 100 - TOP3									30.1	
SAR 100 - TOP4 N		1½"							33.7	
SAR 100 - TOP MULTI 2									32.9	
SAR 100 - TOP MULTI 3									32.9	
SAR 100 - RXm2		1¼"							29.3	
SAR 100 - RXm3									29.6	
SAR 100 - Dm10-N									36.6	
SAR 100 - Dm20-N		1½"							36.6	
SAR 100 - Dm30-N	Ø 110 mm		Ø 50 mm	500	690	645	145	100	38.6	
SAR 100 - TOP 2-VORTEX									28.7	
SAR 100 - TOP 3-VORTEX		1¼"							30.1	
SAR 100 - RXm 2/20									29.6	
SAR 100 - RXm 3/20									29.8	
SAR 100 - ZXm 1A/40									35.2	
SAR 100 - VXm 8/35-N		1½"							36.4	
SAR 100 - VXm 10/35-N									37.2	
SAR 100 - VXm 8/50-N									36.9	
SAR 100 - VXm 10/50-N		2"							37.7	
SAR 100 - BCm 10/50-N									38.4	

DIMENSIONS AND WEIGHT



MODEL	PORTS			DIMENSIONS mm					kg
	I	U	S	a	b	h	i1	i2	
SAR 250 - TOP3		1¼"							42.6
SAR 250 - TOP4 N		1½"							46.2
SAR 250 - TOP5 N		1½"							47.1
SAR 250 - RXm3		1¼"							43.4
SAR 250 - RXm4		1½"							48.7
SAR 250 - RXm5		1½"							49.7
SAR 250 - Dm10-N		1½"							49.1
SAR 250 - Dm20-N		1½"							49.1
SAR 250 - Dm30-N		1½"							51.1
SAR 250 - TOP 2-VORTEX		1¼"							41.2
SAR 250 - TOP 3-VORTEX		1¼"							42.6
SAR 250 - RXm 3/20	∅ 110 mm	1¼"	∅ 50 mm	700	970	715	250	130	43.8
SAR 250 - RXm 4/40		1½"							49.0
SAR 250 - RXm 5/40		1½"							50.0
SAR 250 - VXm10/35-ST		2"							47.1
SAR 250 - VXm10/50-ST		2"							47.2
SAR 250 - BCm10/50-ST		1½"							47.9
SAR 250 - VXm 10/35-N		1½"							49.7
SAR 250 - VXm 15/35-N		1½"							51.7
SAR 250 - VXm 10/50-N		2"							50.2
SAR 250 - VXm 15/50-N		2"							52.2
SAR 250 - BCm 10/50-N		2"							50.9
SAR 250 - BCm 15/50-N		2"							52.5



MODEL	PORTS			DIMENSIONS mm						kg
	I	U	S	a	b	h	i1	i2	i3	
SAR 550 - TOP4 N										93.4
SAR 550 - TOP5 N										95.2
SAR 550 - RXm4										98.4
SAR 550 - RXm5										100.4
SAR 550 - Dm10-N		1½"								99.2
SAR 550 - Dm20-N		1½"								99.2
SAR 550 - Dm30-N		1½"								103.2
SAR 550 - RXm 4/40		1½"								99.0
SAR 550 - RXm 5/40	∅ 110 mm	1½"	∅ 50 mm	1350	970	715	250	130	240	101.0
SAR 550 - VXm 10/35-ST		2"								95.2
SAR 550 - VXm 10/50-ST		2"								95.4
SAR 550 - BCm10/50-ST		1½"								96.8
SAR 550 - VXm 10/35-N		1½"								100.4
SAR 550 - VXm 15/35-N		1½"								104.4
SAR 550 - VXm 10/50-N		2"								101.4
SAR 550 - VXm 15/50-N		2"								105.4
SAR 550 - BCm 10/50-N		2"								102.8
SAR 550 - BCm 15/50-N		2"								106.0