

PLURIJET 90-130-200

STAINLESS STEEL IMPELLERS

Self-priming multi-stage pumps

 Clean water

 Domestic use

 Civil use



PERFORMANCE RANGE

- Flow rate up to **200 l/min** (12 m³/h)
- Head up to **97 m**

APPLICATION LIMITS

- Manometric suction lift up to **9 m** (HS)
- Liquid temperature between **-10 °C** and **+40 °C**
- Ambient temperature up to **+40 °C**
- Max. working pressure **10 bar**
- Continuous service **S1**

CONSTRUCTION AND SAFETY STANDARDS

EN 60335-1
IEC 60335-1
CEI 61-150

EN 60034-1
IEC 60034-1
CEI 2-3



CERTIFICATIONS

Company with management system certified DNV
ISO 9001: QUALITY



INSTALLATION AND USE

The self-priming **PLURIJET** pumps are recommended for pumping clean water even in cases where air is present and for liquids which are not chemically aggressive towards the materials from which the pump is made.

Because of their silence, reliability and low energy consumption they are recommended for domestic and civil applications, in particular for pressurising and distributing water in combination with pressure tanks, for the recovery of rain water, for irrigation systems, etc.

Installation needs to be undertaken in well ventilated closed areas or anyway protected from bad weather.

PATENTS - TRADE MARKS - MODELS

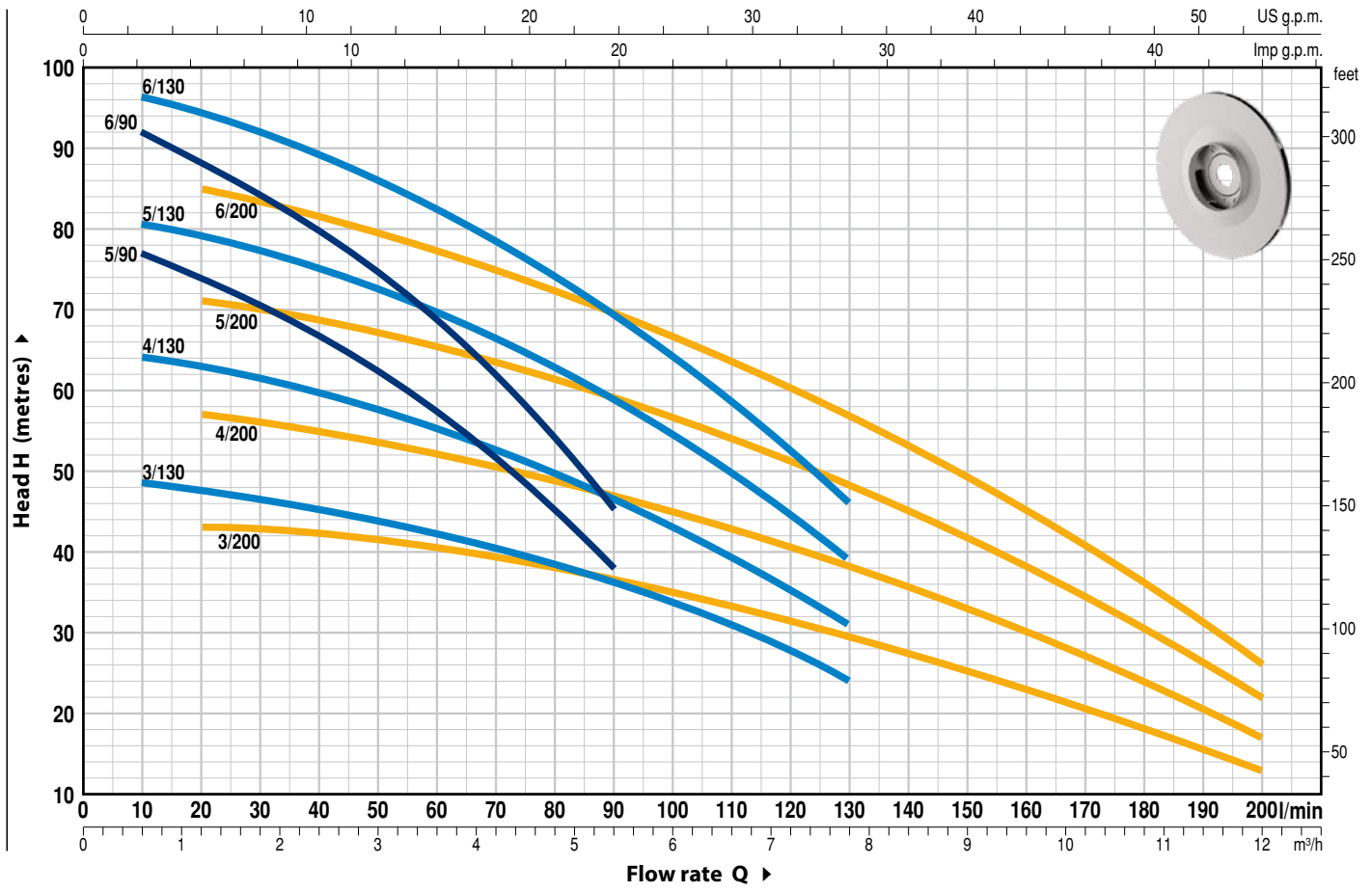
- Registered Trade Mark n. 3974301 PLURIJET®
- Patent Pending n. EP14755156.8

OPTIONS AVAILABLE ON REQUEST

- Other voltages or 60 Hz frequency
- IPX5 class protection

CHARACTERISTIC CURVES AND PERFORMANCE DATA

50 Hz n = 2900 min⁻¹ HS = 0 m



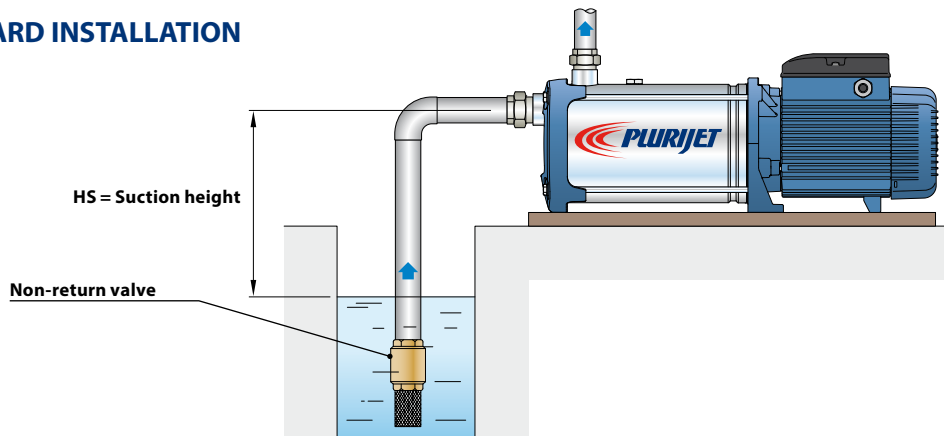
MODEL		POWER (P ₂)		Q	Flow rate (m³/h)													
Single-phase	Three-phase	kW	HP		0	0.3	0.6	1.2	2.4	3.6	5.4	6.0	7.8	8.4	9.6	10.8	12.0	
PLURIJETm 5/90	PLURIJET 5/90	1.1	1.5	IE3	0	5	10	20	40	60	90	100	130	140	160	180	200	
PLURIJETm 6/90	PLURIJET 6/90	1.5	2		80	78	77	74	67	57	38							
PLURIJETm 3/130	PLURIJET 3/130	1.1	1.5		96	94	92	88	80	69	45							
PLURIJETm 4/130	PLURIJET 4/130	1.5	2		49	49	48.5	47.5	45	42.5	36	33.5	24					
PLURIJETm 5/130	PLURIJET 5/130	1.8	2.5		65	65	64	63	60	56	46	43	31					
-	PLURIJET 6/130	2.2	3		81	81	80.5	79	75	70	59	54	39					
PLURIJETm 3/200	PLURIJET 3/200	1.1	1.5		97	97	96.5	94.5	90	83	69	64	46					
PLURIJETm 4/200	PLURIJET 4/200	1.5	2		44	43.5	43.5	43	42	40.5	37	35	29	27.5	23	18	13	
PLURIJETm 5/200	PLURIJET 5/200	1.8	2.5		58	57.5	57.5	57	55	52.5	47	45	38	35.5	30	24	17	
-	PLURIJET 6/200	2.2	3		73	72	71.5	71	69	65.5	59	56.5	48	44.5	38	30	22	
				87	86	85.5	85	82	78	69	67	57	53	45	36	26		

Q = Flow rate H = Total manometric head HS = Suction height

Tolerance of characteristic curves in compliance with EN ISO 9906 Grade 3B.

▲ Three-phase motor efficiency class (IEC 60034-30-1)

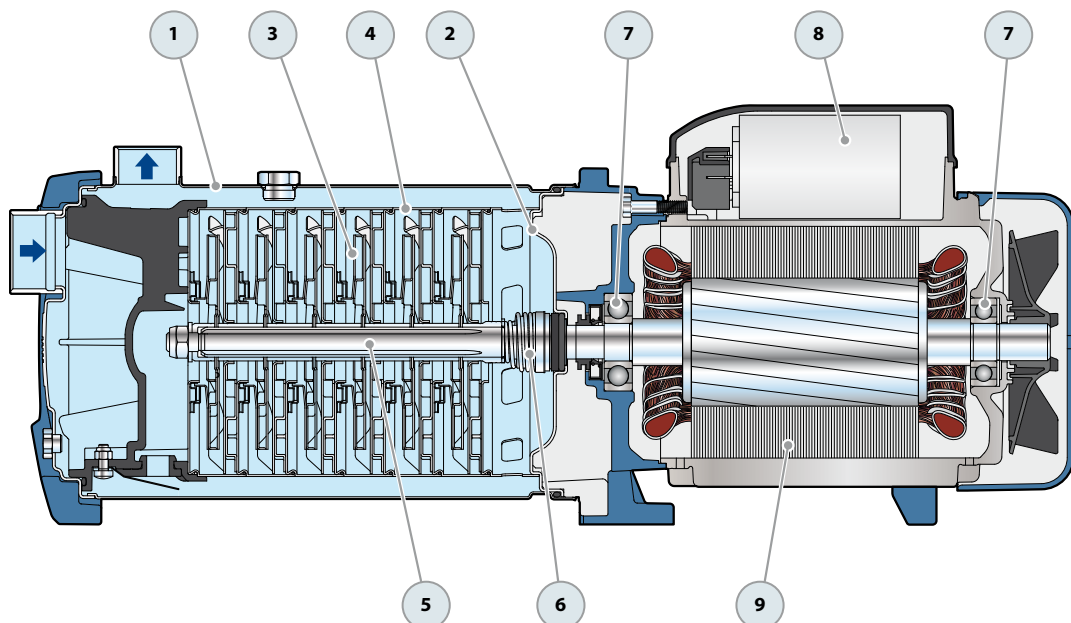
STANDARD INSTALLATION



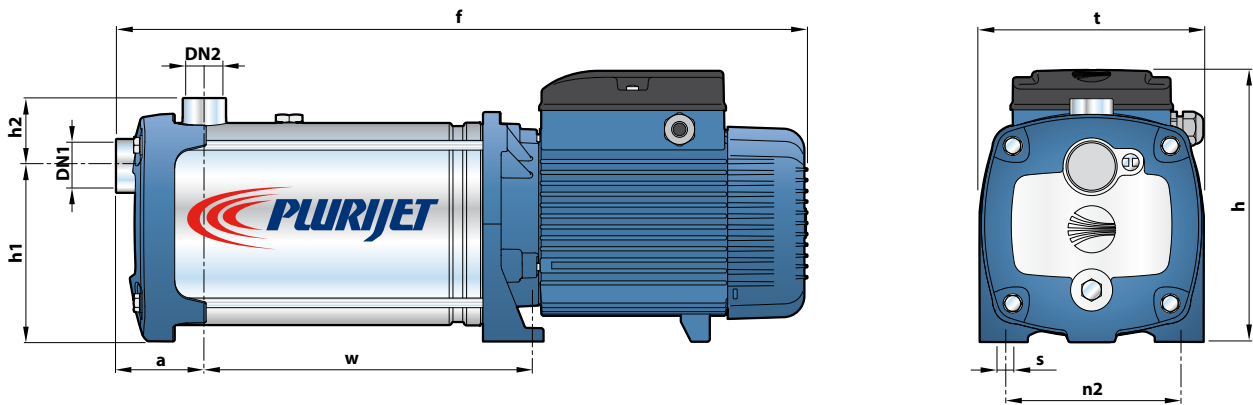
PLURIJET 90-130-200

POS. COMPONENT CONSTRUCTION CHARACTERISTICS

1	PUMP BODY	Stainless steel AISI 304 complete with threaded ports in compliance with ISO 228/1				
2	BODY BACKPLATE	Stainless steel AISI 304				
3	IMPELLERS	Stainless steel AISI 304				
4	DIFFUSERS	Stainless steel AISI 304				
5	MOTOR SHAFT	Stainless steel AISI 431				
6	MECHANICAL SEAL	Seal	Shaft	Materials		
		<i>Model</i>	<i>Diameter</i>	<i>Stationary ring</i>	<i>Rotational ring</i>	<i>Elastomer</i>
		FN-18	Ø 18 mm	Graphite	Ceramic	NBR
7	BEARINGS	6304 2RS - C3 / 6204 ZZ - C3E				
8	CAPACITOR	Pump	Capacitance			
		<i>Single-phase</i>	<i>(230 V or 240 V)</i>	<i>(110 V)</i>		
		PLURIJETm 5/90 PLURIJETm 3/130 PLURIJETm 3/200	31.5 µF - 450 VL	60 µF - 250 VL		
		PLURIJETm 6/90 PLURIJETm 4/130 PLURIJETm 4/200	45 µF - 450 VL	80 µF - 250 VL		
		PLURIJETm 5/130 PLURIJETm 5/200	50 µF - 450 VL	-		
9	ELECTRIC MOTOR	<p>PLURIJETm: single-phase 230 V - 50 Hz with thermal overload protector incorporated into the winding.</p> <p>PLURIJET: three-phase 230/400 V - 50 Hz.</p> <p>⇒ The three-phase pumps are fitted with high performance motors in class IE3 (IEC 60034-30-1)</p> <p>- Insulation: class F</p> <p>- Protection: IP X4</p>				



DIMENSIONS AND WEIGHT



MODEL		PORTS		DIMENSIONS mm									kg	
Single-phase	Three-phase	DN1	DN2	a	f	h	h1	h2	t	n2	w	s	1~	3~
PLURIJETm 5/90	PLURIJET 5/90	1¼"	1"	75	549	228	145	56	185	145	245	11	20.4	20.5
PLURIJETm 6/90	PLURIJET 6/90				573						271		22.7	22.5
PLURIJETm 3/130	PLURIJET 3/130				497						193		18.5	18.6
PLURIJETm 4/130	PLURIJET 4/130				523						219		20.5	20.6
PLURIJETm 5/130	PLURIJET 5/130				569						245		23.7	24.2
-	PLURIJET 6/130				595						271		-	25.3
PLURIJETm 3/200	PLURIJET 3/200				497						193		18.5	18.6
PLURIJETm 4/200	PLURIJET 4/200				523						219		20.6	20.6
PLURIJETm 5/200	PLURIJET 5/200				569						245		24.7	24.0
-	PLURIJET 6/200				595						271		-	25.0

ABSORPTION

MODEL	VOLTAGE		
	230 V	240 V	110 V
Single-phase	230 V	240 V	110 V
PLURIJETm 5/90	9.3 A	9.0 A	18.6 A
PLURIJETm 6/90	11.0 A	10.7 A	22.0 A
PLURIJETm 3/130	8.5 A	8.1 A	17.0 A
PLURIJETm 4/130	10.3 A	9.9 A	20.6 A
PLURIJETm 5/130	12.5 A	12.0 A	-
PLURIJETm 3/200	8.7 A	8.3 A	17.4 A
PLURIJETm 4/200	10.5 A	10.1 A	21.0 A
PLURIJETm 5/200	12.5 A	12.2 A	-

MODEL	VOLTAGE					
	230 V	400 V	690 V	240 V	415 V	720 V
Three-phase	230 V	400 V	690 V	240 V	415 V	720 V
PLURIJET 5/90	6.1 A	3.5 A	2.0 A	5.9 A	3.4 A	1.9 A
PLURIJET 6/90	7.3 A	4.2 A	2.4 A	6.9 A	4.0 A	2.3 A
PLURIJET 3/130	5.6 A	3.2 A	1.8 A	5.4 A	3.1 A	1.8 A
PLURIJET 4/130	6.9 A	4.0 A	2.3 A	6.6 A	3.8 A	2.2 A
PLURIJET 5/130	9.0 A	5.2 A	3.0 A	8.6 A	5.0 A	2.9 A
PLURIJET 6/130	9.9 A	5.7 A	3.3 A	9.5 A	5.5 A	3.2 A
PLURIJET 3/200	5.9 A	3.4 A	2.0 A	5.7 A	3.3 A	1.9 A
PLURIJET 4/200	7.3 A	4.2 A	2.4 A	6.9 A	4.0 A	2.3 A
PLURIJET 5/200	9.4 A	5.4 A	3.1 A	9.0 A	5.2 A	3.0 A
PLURIJET 6/200	10.2 A	5.9 A	3.4 A	9.8 A	5.7 A	3.3 A